



预装式变电站(欧式箱变)
PREFABRICATED SUBSTATION (EUROPEAN TYPE)

产品概述

Product Overview

预装式变电站,又叫欧式箱变。是一种将高压开关设备、配电变压器和低压配电装置按一定接线方案组合一体的工厂预制户内、户外紧凑型配电设备,即将变压器降压、低压配电等功能有机地组合在一起,安装在一个防潮、防锈、防尘、防鼠、防火、防盗、隔热、全封闭、可移动的户外箱内,特别适用于城网建设与改造,是继土建变电站之后崛起的一种崭新的变电站。预装式变电站适用于矿山、工厂企业、油气田和风力发电站,它替代了原有的土建配电房,配电站,成为新型的成套变配电装置。

The prefabricated substation is a set of high-voltage switchgear, distribution transformers and low voltage power distribution equipment, according to a certain wiring diagram to be connected in one of the factory indoor, outdoor compact type distribution equipment, the step-down transformer, low voltage power distribution, and other functions organically combined together, installed in a moistureproof, rust-proof, dustproof, ratproof, fire prevention, guard against theft, thermal insulation, fully enclosed, movable steel structure, especially suitable for city network construction and retrofit, is the civil substation after the rise of a new substation.

产品特点

Product Features

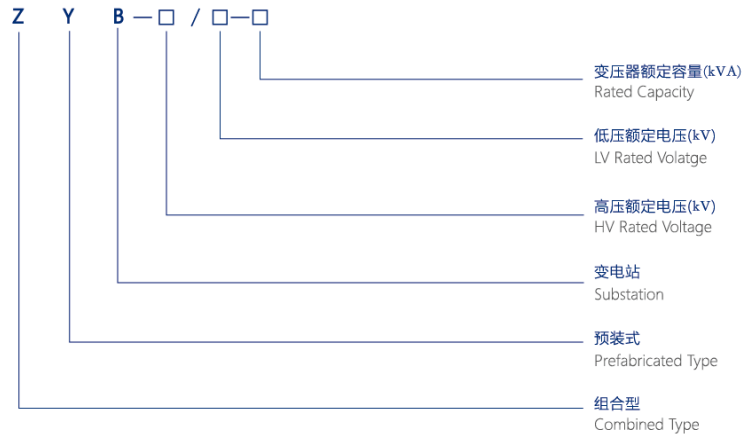
- 1、预装式变电站具有成套性强、体积小、结构紧凑、运行安全可靠、维护方便、以及可移动等特点。
 - 2、适合街道、高速公路、桥梁、隧道、停车场、小区、旅游景点等的照明和动力系统,尤其适用于城市电网改造。
 - 3、供电安全可靠:可提供完善的机械或电气连锁,满足“五防”要求,确保人身安全;
 - 4、箱体外壳材质多样,外形设计美观,在保证供电可靠性前提下,通过选择箱式变电站的外壳颜色,从而极易与周围环境协调一致,特别适用于城市建设。
 - 5、变压器以自然通风为主,当变压器室温度超过设定温度时,装在顶部的轴流风机自动启动来控制变压器室的温度。
 - 6、预装式变电站由于各个功能单元独立,各个单元可以按照用户要求定制,因此选择范围大,适应市场能力强。
- 1、 Compact structure, small size, safe and reliable operation, easy for maintenance and removable.
 - 2、 It is suitable for the lighting and power system of streets, highways, bridges, tunnels, parking lots, residential areas and tourist attractions, especially for urban grid transformation.
 - 3、 Power supply safety and reliability: can provide perfect mechanical or electrical linkage, meet the requirement of "five defense", ensure the safety of the person;
 - 4、 Enclosure material is various, design beautiful, under the premise that guarantee the power supply reliability, by selecting the box-type substation shell color, thus easy to harmony with the surrounding environment, especially suitable for urban construction.
 - 5、 The transformer is mainly ventilated with natural ventilation, and when the temperature of the transformer room exceeds the set temperature, the axial fan on the top automatically starts to control the temperature of the transformer room.
 - 6、 The pre-installed transformer substation can be customized according to the user's requirement, so the selection scope is large and the market ability is strong.

7、自动化程度高,保护系统采用变电站微机综合自动化装置,可实现“四遥”,即遥测、遥信、遥控、遥调,每个单元均具有独立运行功能,继电保护功能齐全,可对运行参数进行远方设置,对箱体湿度、温度进行控制和远方烟雾报警,满足无人值班的要求;根据需要还可实现图像远程监控。

7、High degree of automation, protection system using microcomputer integrated substation automation devices, which can realize "four control", namely, telemetry, remote communication, remote control, remote regulating. Each unit has independent operation function and complete relay protection function. The operation parameters can be set from remote distance to control the humidity and temperature of the enclosure and the smoke alarm meeting the requirements of the unattended. Image remote monitoring can be implemented as needed.

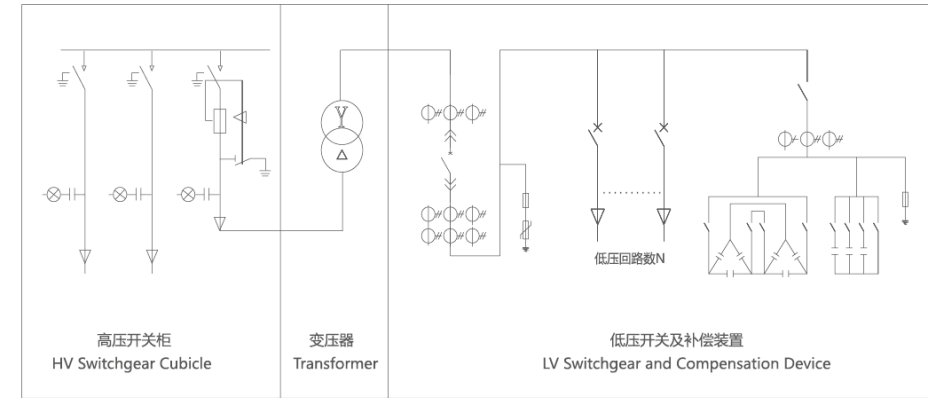
型号说明

Model Coding



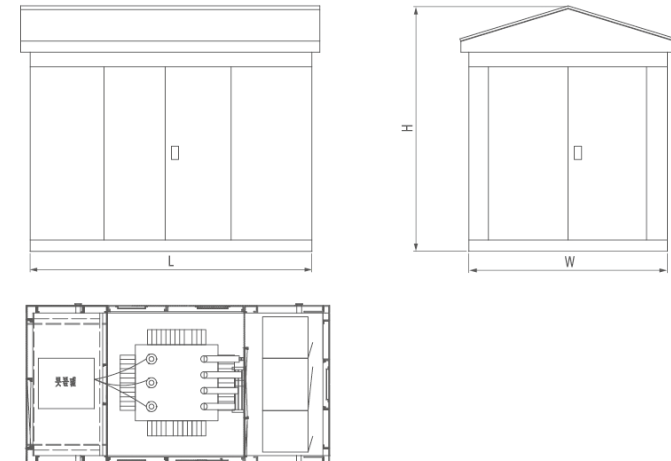
方案图

Schematic Diagram



外形图

Outline Drawing



主要技术参数
Technical Parameters

箱变型号 Type	变压器型号 Transformer Model	电压组合 Voltage		容量 Capacity (kV·A)	空载损耗 No load loss (kW)	负载损耗 Load loss (kW)	空载电流 No load current (%)	短路阻抗 Short-circuit impedance (%)	外形尺寸 Dimensions L×W×H (mm)	低压常规配置 L.V. general configuration
		高压 (kV) H.V	低压 (kV) L.V							
ZYB-12/0.4-30	S11-M-30/10	6 6.3 10 10.5 20 20(10)	0.4	30	0.100	0.630/0.600	1.5	4.0	2900×2400×2800	低压二路线+电容补偿30%
	S13-M-30/10				0.080	0.630/0.600	1.5	4.0		
	S14-M-30/10				0.080	0.505/0.480	1.5	4.0		
	SH15-M-30/10				0.033	0.630/0.600	1.5	4.0		
	SC10-30/10				0.190	0.710	2.0	4.0		
	SC11-30/10				0.170	0.710	2.0	4.0		
	SC12-30/10				0.150	0.710	2.0	4.0		
ZYB-24/0.4-30	S11-M-30/20	6 6.3 10 10.5 20 20(10)	0.4	30	0.100	0.690/0.660	2.1	5.5	2900×2400×2800	低压二路线+电容补偿30%
	S13-M-30/20				0.080	0.690/0.660	2.1	5.5		
	SH15-M-30/20				0.040	0.690/0.660	1.5	5.5		
ZYB-12/0.4-50	S11-M-50/10	6 6.3 10 10.5 20 20(10)	0.4	50	0.130	0.910/0.870	1.3	4.0	2900×2400×2800	低压二路线+电容补偿30%
	S13-M-50/10				0.100	0.910/0.870	1.3	4.0		
	S14-M-50/10				0.100	0.730/0.695	1.3	4.0		
	SH15-M-50/10				0.043	0.910/0.870	1.2	4.0		
	SC10-50/10				0.270	1.00	2.0	4.0		
	SC11-50/10				0.240	1.00	2.0	4.0		
	SC12-50/10				0.215	1.00	2.0	4.0		
ZYB-24/0.4-50	S11-M-50/20	6 6.3 10 10.5 20 20(10)	0.4	50	0.130	1.01/0.960	2.0	5.5	2900×2400×2800	低压二路线+电容补偿30%
	S13-M-50/20				0.105	1.01/0.960	2.0	5.5		
	SH15-M-50/20				0.055	1.01/0.960	1.2	5.5		
	SC10-50/20				0.340	1.23	2.0	6.0		
	SC11-50/20				0.310	1.23	2.0	6.0		
	SC12-50/20				0.275	1.23	2.0	6.0		
	SC13-50/20				0.238	1.10	2.0	6.0		
ZYB-12/0.4-63	S11-M-63/10	6 6.3 10 10.5 20 20(10)	0.4	63	0.150	1.09/1.04	1.2	4.0	2900×2400×2800	低压二路线+电容补偿30%
	S13-M-63/10				0.110	1.09/1.04	1.2	4.0		
	S14-M-63/10				0.110	0.870/0.830	1.2	4.0		
	SH15-M-63/10				0.050	1.09/1.04	1.0	4.0		
ZYB-24/0.4-63	S11-M-63/20	6 6.3 10 10.5 20 20(10)	0.4	63	0.150	1.20/1.15	1.9	5.5	2900×2400×2800	低压二路线+电容补偿30%
	S13-M-63/20				0.120	1.20/1.15	1.9	5.5		
	SH15-M-63/20				0.065	1.20/1.15	1.1	5.5		
ZYB-12/0.4-80	S11-M-80/10	6 6.3 10 10.5 20 20(10)	0.4	80	0.180	1.31/1.25	1.2	4.0	2900×2400×2800	低压二路线+电容补偿30%
	S13-M-80/10				0.130	1.31/1.25	1.2	4.0		
	S14-M-80/10				0.130	1.05/1.00	1.2	4.0		
	SH15-M-80/10				0.060	1.31/1.25	1.0	4.0		

箱变型号 Type	变压器型号 Transformer Model	电压组合 Voltage		容量 Capacity (kV·A)	空载损耗 No load loss (kW)	负载损耗 Load loss (kW)	空载电流 No load current (%)	短路阻抗 Short-circuit impedance (%)	外形尺寸 Dimensions L×W×H (mm)	低压常规配置 L.V. general configuration
		高压 (kV) H.V	低压 (kV) L.V							
ZYB-12/0.4-80	SC10-80/10	6 6.3 10 10.5 20 20(10)	0.4	80	0.370	1.38	1.5	4.0	2900×2400×2800	低压二路线+电容补偿30%
	SC11-80/10				0.340	1.38	1.5	4.0		
	SC12-80/10				0.295	1.38	1.5	4.0		
	SC13-80/10				0.265	1.24	1.5	4.0		
ZYB-24/0.4-80	S11-M-80/20	6 6.3 10 10.5 20 20(10)	0.4	80	0.180	1.44/1.37	1.8	5.5	2900×2400×2800	低压二路线+电容补偿30%
	S13-M-80/20				0.145	1.44/1.37	1.8	5.5		
	SH15-M-80/20				0.075	1.44/1.37	1.0	5.5		
ZYB-12/0.4-100	S11-M-100/10	6 6.3 10 10.5 20 20(10)	0.4	100	0.200	1.58/1.50	1.1	4.0	2900×2400×2800	低压二路线+电容补偿30%
	S13-M-100/10				0.150	1.58/1.50	1.1	4.0		
	S14-M-100/10				0.150	1.265/1.20	1.1	4.0		
	SH15-M-100/10				0.075	1.58/1.50	0.90	4.0		
	SC10-100/10				0.400	1.57	1.5	4.0		
	SC11-100/10				0.360	1.57	1.5	4.0		
	SC12-100/10				0.320	1.57	1.5	4.0		
ZYB-24/0.4-100	S11-M-100/20	6 6.3 10 10.5 20 20(10)	0.4	100	0.200	1.73/1.65	1.6	5.5	2900×2400×2800	低压二路线+电容补偿30%
	S13-M-100/20				0.160	1.73/1.65	1.6	5.5		
	SH15-M-100/20				0.090	1.73/1.65	0.90	5.5		
	SC10-100/20				0.540	1.99	1.8	6.0		
	SC11-100/20				0.490	1.99	1.8	6.0		
	SC12-100/20				0.435	1.99	1.8	6.0		
	SC13-100/20				0.378	1.79	1.8	6.0		
ZYB-12/0.4-125	S11-M-125/10	6 6.3 10 10.5 20 20(10)	0.4	125	0.240	1.89/1.80	1.1	4.0	2900×2400×2800	低压三路线+电容补偿30%
	S13-M-125/10				0.170	1.89/1.80	1.1	4.0		
	S14-M-125/10				0.170	1.51/1.44	1.1	4.0		
	SH15-M-125/10				0.085	1.89/1.80	0.80	4.0		
	SC10-125/10				0.470	1.85	1.3	4.0		
	SC11-125/10				0.420	1.85	1.3	4.0		
ZYB-24/0.4-125	S11-M-125/20	6 6.3 10 10.5 20 20(10)	0.4	125	0.240	2.08/1.98	1.5	5.5	2900×2400×2800	低压三路线+电容补偿30%
	S13-M-125/20				0.195	2.08/1.98	1.5	5.5		
	SH15-M-150/20				0.100	2.08/1.98	0.80	5.5		
ZYB-12/0.4-160	S11-M-160/10	6 6.3 10 10.5 20 20(10)	0.4	160	0.280	2.31/2.20	1.0	4.0	3000×2400×2800	低压四路线+电容补偿30%
	S13-M-160/10				0.200	2.31/2.20	1.0	4.0		
	S14-M-160/10				0.200	1.85/1.76	1.0	4.0		
	SH15-M-160/10				0.100	2.31/2.20	0.60	4.0		
	SC10-160/10				0.540	2.13	1.3	4.0		
	SC11-160/10				0.485	2.13	1.3	4.0		
	SC12-160/10				0.430	2.13	1.3	4.0		

箱变型号 Type	变压器型号 Transformer Model	电压组合 Voltage		容量 Capacity (kV·A)	空载损耗 No load loss (kW)	负载损耗 Load loss (kW)	空载电流 No load current (%)	短路阻抗 Short-circuit impedance (%)	外形尺寸 Dimensions L×W×H (mm)	低压常规配置 L.V. general configuration
		高压 (kV) H.V	低压 (kV) L.V							
ZYB-24/0.4-160	S11-M-160/20	6	0.4	160	0.290	2.54/2.42	1.4	5.5	3000×2400×2800	低压四路出线+电容补偿30% LV side four line outgoing+ capacitance compensation 30%
	S13-M-160/20				0.235	2.54/2.42	1.4	5.5		
	SH15-M-160/20				0.120	2.54/2.42	0.60	5.5		
	SC10-160/20				0.670	2.47	1.5	6.0		
	SC11-160/20				0.610	2.47	1.5	6.0		
	SC12-160/20				0.540	2.47	1.5	6.0		
ZYB-12/0.4-200	S11-M-200/10	6.3	0.4	200	0.340	2.73/2.60	1.0	4.0	3000×2400×2800	低压四路出线+电容补偿30% LV side four line outgoing+ capacitance compensation 30%
	S13-M-200/10				0.240	2.73/2.60	1.0	4.0		
	S14-M-200/10				0.240	2.185/2.08	1.0	4.0		
	SBH15-M-200/10				0.120	2.73/2.60	0.60	4.0		
	SC10-200/10				0.620	2.53	1.1	4.0		
	SC11-200/10				0.560	2.53	1.1	4.0		
ZYB-24/0.4-200	SC12-200/10	10.5	0.4	200	0.495	2.53	1.1	4.0	3000×2400×2800	低压四路出线+电容补偿30% LV side four line outgoing+ capacitance compensation 30%
	SC13-200/10				0.445	2.28	1.1	4.0		
	S11-M-200/20				0.340	3.00/2.86	1.3	5.5		
	S13-M-200/20				0.275	3.00/2.86	1.3	5.5		
	SBH15-M-200/20				0.145	3.00/2.86	0.6	5.5		
	SC10-200/20				0.730	2.94	1.5	6.0		
ZYB-12/0.4-250	SC11-200/20	20(10)	0.4	200	0.660	2.94	1.5	6.0	3000×2400×2800	低压四路出线+电容补偿30% LV side four line outgoing+ capacitance compensation 30%
	SC12-200/20				0.585	2.94	1.5	6.0		
	SC13-200/20				0.510	2.65	1.5	6.0		
	S11-M-250/10				0.400	3.20/3.05	0.90	4.0		
	S13-M-250/10				0.290	3.20/3.05	0.90	4.0		
	S14-M-250/10				0.290	2.56/2.44	0.90	4.0		
ZYB-24/0.4-250	SBH15-M-250/10	20(10)	0.4	250	0.140	3.20/3.05	0.60	4.0	3200×2400×2800	低压四路出线+电容补偿30% LV side four line outgoing+ capacitance compensation 30%
	SC10-250/10				0.720	2.76	1.1	4.0		
	SC11-250/10				0.650	2.76	1.1	4.0		
	SC12-250/10				0.575	2.76	1.1	4.0		
	SC13-250/10				0.515	2.49	1.1	4.0		
	S11-M-250/20				0.400	3.52/3.35	1.2	5.5		
ZYB-12/0.4-315	S13-M-250/20	20(10)	0.4	250	0.320	3.52/3.35	1.2	5.5	3200×2400×2800	低压四路出线+电容补偿30% LV side four line outgoing+ capacitance compensation 30%
	SBH15-M-250/20				0.165	3.52/3.35	0.60	5.5		
	SC10-250/20				0.840	3.42	1.3	6.0		
	SC11-250/20				0.760	3.42	1.3	6.0		
	SC12-250/20				0.675	3.42	1.3	6.0		
	SC13-250/20				0.580	3.08	1.3	6.0		
ZYB-12/0.4-315	S11-M-315/10	20(10)	0.4	315	0.480	3.83/3.65	0.90	4.0	3200×2400×2800	低压四路出线+电容补偿30% LV side four line outgoing+ capacitance compensation 30%
	S13-M-315/10				0.340	3.83/3.65	0.90	4.0		
	S14-M-315/10				0.340	3.065/2.92	0.90	4.0		
	SBH15-M-315/10				0.170	3.83/3.65	0.50	4.0		

箱变型号 Type	变压器型号 Transformer Model	电压组合 Voltage		容量 Capacity (kV·A)	空载损耗 No load loss (kW)	负载损耗 Load loss (kW)	空载电流 No load current (%)	短路阻抗 Short-circuit impedance (%)	外形尺寸 Dimensions L×W×H (mm)	低压常规配置 L.V. general configuration
		高压 (kV) H.V	低压 (kV) L.V							
ZYB-12/0.4-315	SCB10-315/10	6	0.4	315	0.880	3.47	1.0	4.0	3200×2400×2800	低压四路出线+电容补偿30% LV side four line outgoing+ capacitance compensation 30%
	SCB11-315/10				0.790	3.47	1.0	4.0		
	SCB12-315/10				0.705	3.47	1.0	4.0		
	SCB13-315/10				0.635	3.13	1.0	4.0		
ZYB-24/0.4-315	S11-M-315/20	6.3	0.4	315	0.480	4.21/4.01	1.1	5.5	3200×2400×2800	低压四路出线+电容补偿30% LV side four line outgoing+ capacitance compensation 30%
	S13-M-315/20				0.385	4.21/4.01	1.1	5.5		
	SBH15-M-315/20				0.200	4.21/4.01	0.50	5.5		
	SCB10-315/20				0.970	4.08	1.3	6.0		
	SCB11-315/20				0.875	4.08	1.3	6.0		
ZYB-12/0.4-400	SCB12-315/20	10.5	0.4	315	0.780	4.08	1.3	6.0	3200×2400×2800	低压四路出线+电容补偿30% LV side four line outgoing+ capacitance compensation 30%
	SCB13-315/20				0.670	3.67	1.3	6.0		
	S11-M-400/10				0.570	4.52/4.30	0.80	4.0		
	S13-M-400/10				0.410	4.52/4.30	0.80	4.0		
	S14-M-400/10				0.410	3.615/3.44	0.80	4.0		
	SBH15-M-400/10				0.200	4.52/4.30	0.50	4.0		
ZYB-24/0.4-400	SCB10-400/10	20(10)	0.4	400	0.980	3.99	1.0	4.0	3200×2400×2800	低压六路出线+电容补偿30% LV side six line outgoing+ capacitance compensation 30%
	SCB11-400/10				0.880	3.99	1.0	4.0		
	SCB12-400/10				0.785	3.99	1.0	4.0		
	SCB13-400/10				0.705	3.59	1.0	4.0		
ZYB-12/0.4-400	S11-M-400/20	20(10)	0.4	400	0.570	4.97/4.73	1.0	5.5	3200×2400×2800	低压六路出线+电容补偿30% LV side six line outgoing+ capacitance compensation 30%
	S13-M-400/20				0.455	4.97/4.73	1.0	5.5		
	SBH15-M-400/20				0.240	4.97/4.73	0.50	5.5		
	SCB10-400/20				1.150	4.84	1.1	6.0		
ZYB-12/0.4-500	SCB11-400/20	20(10)	0.4	400	1.04	4.84	1.1	6.0	3200×2400×2800	低压六路出线+电容补偿30% LV side six line outgoing+ capacitance compensation 30%
	SCB12-400/20				0.920	4.84	1.1	6.0		
	SCB13-400/20				0.805	4.35	1.1	6.0		
	S11-M-500/10				0.680	5.41/5.15	0.80	4.0		
	S13-M-500/10				0.480	5.41/5.15	0.80	4.0		
	S14-M-500/10				0.480	4.33/4.12	0.80	4.0		
ZYB-24/0.4-500	SBH15-M-500/10	20(10)	0.4	500	0.240	5.41/5.15	0.50	4.0	3200×2400×2800	低压六路出线+电容补偿30% LV side six line outgoing+ capacitance compensation 30%
	SCB10-500/10				1.16	4.88	1.0	4.0		
	SCB11-500/10				1.05	4.88	1.0	4.0		
	SCB12-500/10				0.930	4.88	1.0	4.0		
	SCB13-500/10				0.835	4.39	1.0	4.0		
ZYB-12/0.4-500	S11-M-500/20	20(10)	0.4	500	0.680	5.94/5.66	1.0	5.5	3200×2400×2800	低压六路出线+电容补偿30% LV side six line outgoing+ capacitance compensation 30%
	S13-M-500/20				0.545	5.94/5.66	1.0	5.5		
	SBH15-M-500/20				0.290	5.94/5.66	0.50	5.5		
	SCB10-500/20				1.35	5.79	1.1	6.0		
	SCB11-500/20				1.22	5.79	1.1	6.0		
	SCB12-500/20				1.08	5.79	1.1	6.0		
ZYB-24/0.4-500	SCB13-500/20	20(10)	0.4	500	0.945	5.21	1.1	6.0	3200×2400×2800	低压六路出线+电容补偿30% LV side six line outgoing+ capacitance compensation 30%

箱变型号 Type	变压器型号 Transformer Model	电压组合 Voltage		容量 Capacity (kV·A)	空载损耗 No load loss (kW)	负载损耗 Load loss (kW)	空载电流 No load current (%)	短路阻抗 Short-circuit impedance (%)	外形尺寸 Dimensions L×W×H (mm)	低压常规配置 L.V. general configuration				
		高压 (kV) H.V	低压 (kV) L.V											
ZYB-12/0.4-630	S11-M-630/10	6	0.4	630	0.810	6.20	0.60	4.5	4300×2400×2800	低压六路出线+电容补偿30% LV side six line outgoing+capacitance compensation 30%				
	S13-M-630/10				0.570	6.20	0.60	4.5						
	S14-M-630/10				0.570	4.96	0.60	4.5						
	SBH15-M-630/10				0.320	6.20	0.30	4.5						
	SCB10-630/10				1.34	5.88	0.85	4.0						
	SCB11-630/10				1.21	5.88	0.85	4.0						
	SCB12-630/10				1.07	5.88	0.85	4.0						
SCB13-630/10	0.965			5.29	0.85	4.0								
ZYB-24/0.4-630	S11-M-630/20			6	0.4	630	0.810	6.82			0.90	6.0	4600×2400×2800	低压八路出线+电容补偿30% LV side eight line outgoing+capacitance compensation 30%
	S13-M-630/20						0.650	6.82			0.90	6.0		
	SBH15-M-630/20						0.370	6.82			0.30	6.0		
	SCB10-630/20						1.53	6.84			1.0	6.0		
	SCB11-630/20						1.38	6.84			1.0	6.0		
	SCB12-630/20						1.23	6.84			1.0	6.0		
	SCB13-630/20	1.07	6.15				1.0	6.0						
ZYB-12/0.4-800	S11-M-800/10	6	0.4			800	0.980	7.50	0.60	4.5	4600×2400×2800	低压八路出线+电容补偿30% LV side eight line outgoing+capacitance compensation 30%		
	S13-M-800/10						0.700	7.50	0.60	4.5				
	S14-M-800/10						0.700	6.00	0.60	4.5				
	SBH15-M-800/10						0.380	7.50	0.30	4.5				
	SCB10-800/10						1.52	6.96	0.85	6.0				
	SCB11-800/10						1.37	6.96	0.85	6.0				
	SCB12-800/10						1.22	6.96	0.85	6.0				
SCB13-800/10	1.10			6.27	0.85	6.0								
ZYB-24/0.4-800	S11-M-800/20			6	0.4	800	0.980	8.25	0.80	6.0			4600×2400×2800	低压八路出线+电容补偿30% LV side eight line outgoing+capacitance compensation 30%
	S13-M-800/20						0.785	8.25	0.80	6.0				
	SBH15-M-800/20						0.450	8.25	0.30	6.0				
	SCB10-800/20						1.75	8.26	1.0	6.0				
	SCB11-800/20						1.58	8.26	1.0	6.0				
	SCB12-800/20						1.40	8.26	1.0	6.0				
	SCB13-800/20	1.22	7.43				1.0	6.0						
ZYB-12/0.4-1000	S11-M-1000/10	6	0.4			1000	1.15	10.3	0.60	4.5	4600×2400×2800	低压十路出线+电容补偿30% LV side ten line outgoing+capacitance compensation 30%		
	S13-M-1000/10						0.830	10.3	0.60	4.5				
	S14-M-1000/10						0.830	8.24	0.60	4.5				
	SBH15-M-1000/10						0.450	10.3	0.30	4.5				
	SCB10-1000/10						1.77	8.13	0.85	6.0				
	SCB11-1000/10						1.59	8.13	0.85	6.0				
	SCB12-1000/10						1.42	8.13	0.85	6.0				
SCB13-1000/10	1.28			7.32	0.85	6.0								
ZYB-24/0.4-1000	S11-M-1000/20			6	0.4	1000	1.15	11.3	0.70	6.0			4600×2400×2800	低压十路出线+电容补偿30% LV side ten line outgoing+capacitance compensation 30%
	S13-M-1000/20						0.920	11.3	0.70	6.0				
	SBH15-M-1000/20						0.530	11.3	0.30	6.0				

箱变型号 Type	变压器型号 Transformer Model	电压组合 Voltage		容量 Capacity (kV·A)	空载损耗 No load loss (kW)	负载损耗 Load loss (kW)	空载电流 No load current (%)	短路阻抗 Short-circuit impedance (%)	外形尺寸 Dimensions L×W×H (mm)	低压常规配置 L.V. general configuration								
		高压 (kV) H.V	低压 (kV) L.V															
ZYB-24/0.4-1000	SCB10-1000/20	6	0.4	1000	2.07	9.78	0.85	6.0	4600×2400×2800	低压八路出线+电容补偿30% LV side eight line outgoing+capacitance compensation 30%								
	SCB11-1000/20				1.86	9.78	0.85	6.0										
	SCB12-1000/20				1.65	9.78	0.85	6.0										
	SCB13-1000/20				1.45	8.80	0.85	6.0										
ZYB-12/0.4-1250	S11-M-1250/10			6	0.4	1250	1.36	12.0			0.50	4.5	4600×2400×2800	低压十路出线+电容补偿30% LV side ten line outgoing+capacitance compensation 30%				
	S13-M-1250/10						0.970	12.0			0.50	4.5						
	S14-M-1250/10						0.970	9.60			0.50	4.5						
	SBH15-M-1250/10						0.530	12.0			0.20	4.5						
	SCB10-1250/10						2.09	9.69			0.85	6.0						
SCB11-1250/10	1.88					9.69	0.85	6.0										
SCB12-1250/10	1.67					9.69	0.85	6.0										
SCB13-1250/10	1.51					8.72	0.85	6.0										
ZYB-24/0.4-1250	S11-M-1250/20					6	0.4	1250			1.38	13.2			0.70	6.0	4600×2400×2800	低压十路出线+电容补偿30% LV side ten line outgoing+capacitance compensation 30%
	S13-M-1250/20										1.10	13.2			0.70	6.0		
	SBH15-M-1250/20	0.620	13.2						0.20	6.0								
	SCB10-1250/20	2.38	11.5						0.85	6.0								
	SCB11-1250/20	2.14	11.5						0.85	6.0								
SCB12-1250/20	1.90	11.5	0.85					6.0										
SCB13-1250/20	1.67	10.4	0.85	6.0														
ZYB-12/0.4-1600	S11-M-1600/10	6	0.4	1600	1.64			14.5	0.50	4.5	4600×2400×2800	低压十路出线+电容补偿30% LV side ten line outgoing+capacitance compensation 30%						
	S13-M-1600/10				1.17			14.5	0.50	4.5								
	S14-M-1600/10				1.17			11.6	0.50	4.5								
	SBH15-M-1600/10				0.630			14.5	0.20	4.5								
	SCB10-1600/10				2.45			11.7	0.85	6.0								
SCB11-1600/10	2.21			11.7	0.85			6.0										
SCB12-1600/10	1.96			11.7	0.85			6.0										
SCB13-1600/10	1.77			10.6	0.85	6.0												
ZYB-24/0.4-1600	S11-M-1600/20			6	0.4	1600	1.66	15.95	0.60	6.0			4600×2400×2800	低压十路出线+电容补偿30% LV side ten line outgoing+capacitance compensation 30%				
	S13-M-1600/20						1.33	15.95	0.60	6.0								
	SBH15-M-1600/20						0.750	15.95	0.20	6.0								
	SCB10-1600/20						2.79	13.8	0.85	6.0								
	SCB11-1600/20						2.52	13.8	0.85	6.0								
SCB12-1600/20	2.23					13.8	0.85	6.0										
SCB13-1600/20	1.95	12.4	0.85			6.0												
ZYB-12/0.4-2000	S11-M-2000/10	6	0.4			2000	1.94	18.3	0.40	5.0	4600×2400×2800	低压十路出线+电容补偿30% LV side ten line outgoing+capacitance compensation 30%						
	S13-M-2000/10						1.38	18.3	0.40	5.0								
	S14-M-2000/10						1.54	16.5	0.40	5.0								
	SBH15-M-2000/10						0.750	18.3	0.20	5.0								
	SCB10-2000/10						3.05	14.4	0.70	6.0								
SCB11-2000/10	2.75					14.4	0.70	6.0										
SCB12-2000/10	2.44					14.4	0.70	6.0										
SCB13-2000/10	2.20			13.0	0.70	6.0												

箱变型号 Type	变压器型号 Transformer Model	电压组合 Voltage		容量 Capacity (kV·A)	空载损耗 No load loss (kW)	负载损耗 Load loss (kW)	空载电流 No load current (%)	短路阻抗 Short-circuit impedance (%)	外形尺寸 Dimensions L×W×H (mm)	低压常规配置 L.V. general configuration
		高压 (kV) H.V	低压 (kV) L.V							
ZYB-24/0.4-2000	S11-M-2000/20	6 6.3 10 10.5 20 20(10)	0.4	2000	1.95	19.14	0.60	6.0	4600×2400×2800	低压十路出线+ 电容补偿30% LV side ten line outgoing+ capacitance compensation 30%
	S13-M-2000/20				1.56	19.14	0.60	6.0		
	SBH15-M-2000/20				0.900	19.14	0.20	6.0		
	SCB10-2000/20				3.24	16.3	0.70	6.0		
	SCB11-2000/20				2.92	16.3	0.70	6.0		
	SCB12-2000/20				2.59	16.3	0.70	6.0		
SCB13-2000/20	2.26	14.7	0.70	6.0						
ZYB-12/0.4-2500	S11-M-2500/10	6 6.3 10 10.5 20 20(10)	0.4	2500	2.29	21.2	0.40	5.0		
	S13-M-2500/10				1.63	21.2	0.40	5.0		
	S14-M-2500/10				1.81	19.1	0.40	5.0		
	SBH15-M-2500/10				0.900	21.2	0.20	5.0		
	SCB10-2500/10				3.60	17.1	0.70	6.0		
	SCB11-2500/10				3.24	17.1	0.70	6.0		
SCB12-2500/10	2.88	17.1	0.70	6.0						
SCB13-2500/10	2.59	15.5	0.70	6.0						
ZYB-24/0.4-2500	S11-M-2500/20	6 6.3 10 10.5 20 20(10)	0.4	2500	2.34	22.22	0.50	6.0		
	S13-M-2500/20				1.87	22.22	0.50	6.0		
	SBH15-M-2500/20				1.08	22.22	0.20	6.0		
	SCB10-2500/20				3.87	19.3	0.70	6.0		
	SCB11-2500/20				3.48	19.3	0.70	6.0		
	SCB12-2500/20				3.10	19.3	0.70	6.0		
SCB13-2500/20	2.71	17.4	0.70	6.0						

选型说明：

- 1、设备外壳部分：根据用户需要可采用非金属外壳、金属外壳、木外壳、不锈钢外壳等。
- 2、设备高压部分：根据用户需要可采用全绝缘、半绝缘、真空负荷开关、固体绝缘环网柜等。
- 3、设备变压器部分：根据用户需要可采用油浸式变压器、干式变压器、非晶合金变压器。
- 4、设备低压回路：表中低压回路为常规配置，用户可根据实际需要进行配置，确定方案。
- 5、设备电容补偿：可采智能型和常规电容器，容量可根据用户的需求而定。
- 6、设备外形布置：外形布置可根据方案的不同，进行合理的、优化的布置方案，通常分为“目”字型和“品”字型两大类。

Notes:

- 1、Non-metallic surfaces, metal enclosure, wood enclosure and stainless steel enclosure can be chosen by customer's requirements.
- 2、Fully insulation, semi-insulation, vacuum load switch, solid insulation ring, etc. can be selected as H.V parts of transformer parts according to the customer's requirements.
- 3、Oil-immersed transformer, Dry type transformer and Amorphous alloy transformer can be selected as per customer's requirements.
- 4、L.V circuit in above list is the general configuration, it can be changed as per customer's requirements.
- 5、Equipment capacitance compensation can be divided into intelligent capacitance and common capacitor.It's capacity can be changed as per customer's requirements
- 6、Equipment arrangement usually divided into coupled "F" type and "O"+ reversed "E" type. Special plan can be optimized as per customer's requirement.